

• **Troubleshooting**

• **SCSI Guidelines**

• **Jaz Tools Software**

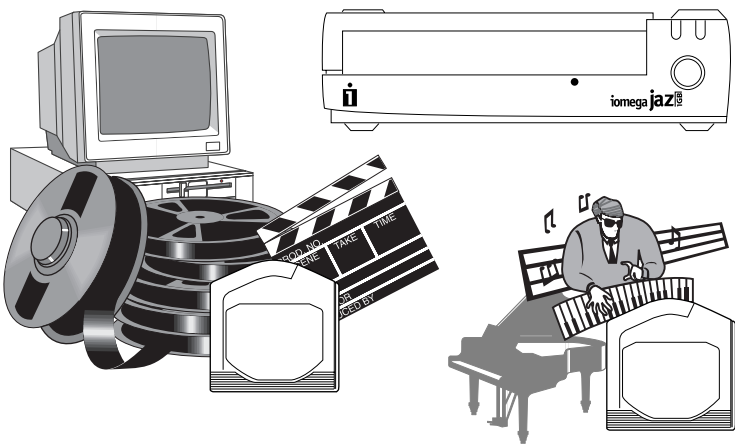
• **How to Use Your Jaz Drive**

• **Getting the Most out of Your Jaz Drive**

User's Guide



Getting the Most out of Your Jaz Drive



The ultimate drive for today's power user ...

Your Jaz drive is a high capacity, high performance removable media drive which meets the latest Fast SCSI-2 specifications. With your Jaz drive you can:

- Upgrade your existing hard disk.
- Expand the capacity of your hard drive without limits – one gigabyte at a time!
- Edit, run, and store full motion video and digital audio.
- Back up an entire hard drive on a single 3.5 inch disk.
- Consolidate all your existing removable media.
- Run your computer from a Jaz disk.
- Store and run applications from a Jaz disk.



Printed on recycled paper

EN149803

© 1997 Omega Corporation. Omega, the Omega logo and Jaz are registered trademarks of, and the graphic with, hand and eye are trademarks of, Omega Corporation. All other product and brand names are the property of their respective companies.

This product carries a one year limited warranty. For complete warranty information, refer to the detailed warranty statement shipped with this product.

Warranty

For additional help on software installation problems under Windows 95, Windows 3.1, or DOS, refer to **MANUAL.EXE** on the Windows/DOS, **MANUAL.EXE** on the Install diskette. If you need further assistance, refer to the support information on the back cover of the *Jaz Installation Guide*.

More Problem Solving Help

If you are using Jaz on a Macintosh or a PC using Windows/DOS, Windows 95, or Windows NT, you must either install Tools software on your system or run the Reclaim utility on the "tools" disk. (For more information for Windows/DOS or Windows 95 systems, refer to **MANUAL.EXE** on the Install diskette.) If you are using the Jaz drive on a SCSI system where Tools software is not available (such as UNIX), you must perform a low-level (surface verify) format on the "tools" disk. (SCSI command 04h)

5 Cannot write files to the Jaz "tools" disk.

(a) Make sure the Jaz data cable is correctly and completely connected to both the Jaz drive and a compatible SCSI connection on the computer. (b) Check termination on the SCSI chain. (See the "SCSI Termination" section inside this guide.) (c) If an internal device is connected to the same adapter as the Jaz drive, you may need to remove SCSI terminators from the adapter. Refer to the documentation that came with the adapter.

4 Data transfer problems or drive operation is erratic.

(g) Reinstall your Jaz tools software. (f) If your Jaz drive is connected to a SCSI adapter, make sure it is compatible (see "Non-Omega SCSI Adapters") and correctly installed in the computer. Refer to the documentation that came with the adapter. (e) Make sure the SCSI chain is properly terminated at each end and that termination is OFF (or removed) for other devices in the chain. If your Jaz drive is the only or last drive on the SCSI connection, make sure the SCSI termination indicator light on the back of the drive is ON (indicating that the Jaz drive has termination actually on). If termination is not on when it needs to be, move the termination switch on the back of the drive to the manual ON position (1). (Use a pen point or straightened paper clip to move the switch.)

... continued from inside the guide

Jaz Drive Specifications

The performance of your Jaz drive may differ dramatically depending on the computer, SCSI connection, and operating system with which it is used. For maximum performance on a PC, connect your Jaz drive to an adapter that has Fast SCSI-2 connectors (such as a PCI SCSI adapter) and use a 32-bit operating system (such as Windows NT or OS/2 Warp). For maximum performance on a Macintosh, use a PCI or Nubus SCSI accelerator card.

Performance Specifications

Disk Capacity	1GB
Average Seek Time	10 msec (Read) 12 msec (Write)
Average Access Time	15.7 msec
Sustained Transfer Rate	6.6 MB/sec max 5.4 MB/sec avg 3.4 MB/sec min
Rotational Speed	5,394 RPM

Reliability

MTBF	250,000 hours
------	---------------

Environmental Specifications

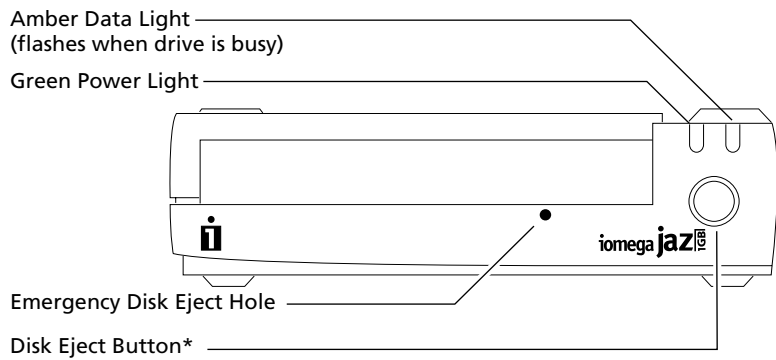
Temperature	
Operating	10°C to 32°C (50°F to 89°F)
Non-operating	-40°C to 60°C (-40°F to 140°F)
Relative humidity (non-condensing)	
Operating	10% to 80%
Non-operating	10% to 90%
Maximum wet bulb temperature	26.6°C (80°F)
Altitude	
Operating	10,000 feet max.

External Drive Power Requirements

Voltage	100-240 vac 50/60 Hz
Power dissipation	20 watts input power

How to Use Your Jaz Drive

Use your Jaz drive just like any other drive on your system. To access the Jaz drive, insert a disk and select the Jaz drive letter (Windows/DOS) or the Jaz disk icon (Macintosh). Store and copy files to and from the Jaz drive using the same methods you use for other drives on your system.



* The disk eject button is disabled during normal operation on the Macintosh.

If you remove the Jaz disk from the drive, store it in the protective case.

- To eject the disk on Windows/DOS systems, push the eject button.
- To eject the disk on Macintosh systems, drag the disk icon to the Trash icon.

When you shut down your system, switch off power to the Jaz drive. Turn on the Jaz drive (and all other SCSI equipment) before or at the same time as you start your computer.

Handling Jaz Disks

Always store Jaz disks in their protective cases when they are not inserted in the drive. Always remove the disk from the drive before moving the drive.

WARNING Never open the disk door on a Jaz disk or drop a Jaz disk. Either could damage the disk and cause data loss. ■

Drive Sleep

The Jaz drive has an automatic sleep mode that spins down a Jaz disk after 30 minutes of inactivity. During drive sleep, the green power light remains on, and the disk automatically spins up again when accessed.

You can use the Tools program included with your drive to change the drive sleep setting. Refer to the Jaz Tools Help file included in your Jaz software package for additional information.

Disk Eject in Case of Power Loss

The Jaz drive must be powered on for normal disk removal. If you need to eject a disk during a power failure, turn off the Jaz drive power switch and push a straightened paper clip into the emergency disk eject hole on the front of the drive (see illustration above).

CAUTION Never force a disk into or out of the Jaz drive. ■

Non-Iomega SCSI Adapters

Your Jaz drive is a high performance drive that will work with most PC/Mac SCSI adapters. For a PC, the adapter must have a compatible ASPI manager for Windows/DOS or 32-bit miniport driver for Windows 95. (If you are not sure that your adapter is 100% compatible, contact the dealer where you purchased the adapter or the adapter manufacturer.) Before installing the Jaz drive, make sure the necessary software for the adapter is correctly installed on your system. To take advantage of all the features of your Jaz drive, either install Jaz Tools or always use the Guest program when operating the drive. Refer to MANUAL.EXE on the Install diskette for Windows/DOS for additional information on non-Iomega adapters.

Jaz Tools Software

The Jaz "tools" disk contains a complete package of software tools designed to help you take advantage of all the features of your Jaz drive. Follow the instructions in the Installation Guide to install the Tools software package needed on your system. For information on using the software, refer to the help files installed on your hard disk in the Iomega Jaz Tools folder.

Guest™

The Guest program is a portable driver that lets you easily move your Jaz drive from one computer to another. When you run Guest, you can use your Jaz drive without having to permanently install the driver or Jaz Tools software.

There are versions of Guest for Windows 95, Windows/DOS, and Macintosh. All versions of Guest can be conveniently loaded from a floppy diskette. For detailed instructions on using Guest, refer to "Help for Guest95" or GUESTHLP.TXT on the Install diskette for Windows/DOS, or to the Guest Help file installed on Mac OS systems.

Read/Write Protecting Jaz Disks

Your Jaz tools software includes a special read/write protect feature that extends the protection options for your Jaz disks beyond those provided by a mechanical write protect switch. Refer to Jaz Tools Help for information on using the protection software.

Jaz Tools Disk

The Jaz "tools" disk that came with your drive is a special dual-format disk which cannot be used for data storage until the format is set to either PC or Macintosh by installing the Jaz tools software package or by running the Reclaim utility. After the first installation, the "tools" disk can be used to install or reinstall Jaz tools software only on the same system type (Macintosh or Windows/DOS) as the initial installation. If you want to install Jaz tools on the other system type, you will need to purchase a second Jaz tools disk. Additional blank disks for your Jaz drive are available preformatted for Macintosh or for Windows/DOS.

SCSI Guidelines

The Small Computer System Interface (SCSI) is an industry standard for connecting peripherals to most personal computers. SCSI rules define how to connect more than one SCSI device to the same SCSI connection (either built-in or from a SCSI host adapter).

SCSI "Chain"

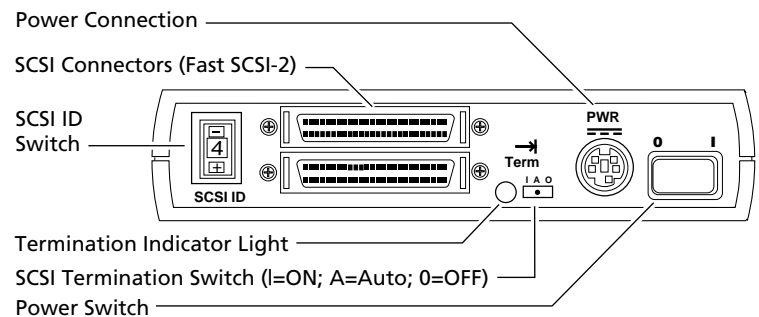
A SCSI chain is a series of SCSI devices cabled one to another on a single SCSI connection. You can add your Jaz drive to a SCSI chain.

For any SCSI chain, the combined chain length (the total of all cables in the SCSI chain) should not exceed 6 meters (19.6 feet).

SCSI ID

SCSI ID is an address number (0 through 7) that is assigned to each SCSI device. In a SCSI chain, each device in the chain must have a different SCSI ID number, and ID 7 should NOT be used for any device as it is usually reserved for use by the controller. The Jaz drive is set at the factory to SCSI ID 4.

If you need to change the SCSI ID on your Jaz drive, switch off power to the Jaz drive, use a pen or straightened paper clip to set the SCSI ID switch as desired, turn on power to the drive, and restart or reboot the computer.



SCSI Termination

SCSI rules require that the first and last devices in a SCSI chain (and no others) have termination ON in order to provide proper data transfer. On the Auto setting, the Jaz drive can set its own termination automatically as long as power to the drive is ON. The termination indicator on the back of the drive lights whenever the Jaz drive turns termination ON.

Always turn off power to all devices in the SCSI chain before making any change to the SCSI configuration. If you encounter a special problem with termination on the Jaz drive, you can use a pen point or straightened paper clip to move the SCSI termination switch to manual ON (1) or OFF (0).

CAUTION Data loss can occur if SCSI termination is ON for either too many or too few devices in the SCSI chain. The Jaz drive must have power (green power light on the front panel must be ON) in order for the auto termination feature to work correctly. ■

Troubleshooting

If you encounter a problem while installing or using your Jaz drive, check this section for help.

CAUTION To prevent damage to computer equipment, turn off electrical power before connecting or disconnecting any cables. ■

- 1 Green power light does not come on.**

Make sure the Jaz power supply is fully connected to the Jaz drive and plugged into a working power outlet. Make sure the power switch on the back of the drive is ON (1).
- 2 Computer does not start up properly after the Jaz drive is installed.**

Disconnect the Jaz drive from the computer and restart. Refer to **MANUAL.EXE** on the Install diskette for problem solving information for Windows 95 and Windows/DOS systems. For other systems, refer to the support information on the back cover of the *Jaz Installation Guide*.
- 3 The Iomega software cannot find the Jaz drive, or the Jaz drive is not assigned a drive letter.**
 - (a) Turn on power to the Jaz drive before you boot or start the computer. (The green power light on the drive front panel should be ON.)
 - (b) Make sure the data cable for the Jaz drive is connected as shown in the installation guide, and that all cable connections are straight and secure.
 - (c) Make sure the Jaz drive is connected to a SCSI connection on the computer. The Jaz drive will NOT work if it is connected to a printer port.
 - (d) If your Jaz drive is part of a SCSI chain, make sure each device in the chain has a different SCSI ID number (no duplicates). If you need to change a SCSI ID setting, turn the computer off and power down all devices, change the conflicting SCSI ID, and power up again.

Continued on back cover ...